



Daytona

TC-806M

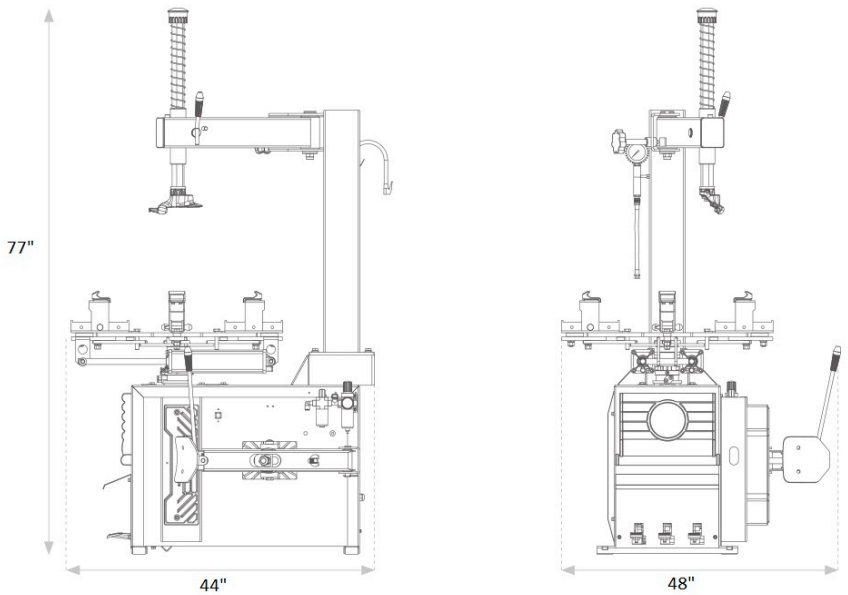
MOTORCYCLE TIRE CHANGER

Features

- Outside clamping range - 6"-24"
- Rim Width - 3"-12"
- Max Wheel diameter - 37"
- Bead breaking force - 2500kg
- Power Supply - 110V/220V
- Rotations per minute - 6.5rpm
- Machine net weight - 395lbs



TC-806M



Space Requirements

44" x 48 " x 77"

101 Applewood Dr Brighton ON K0K1H0
 1-866-219-9991 / 613-475-5400
 CustomerCare@daytonaproducts.com
www.DaytonaProducts.com