

# RAJ-7K Series Rolling Bridge Jacks

7,000 lb. Capacity  
(High Mount & Low Mount)

## ASSEMBLY & OPERATION INSTRUCTION MANUAL



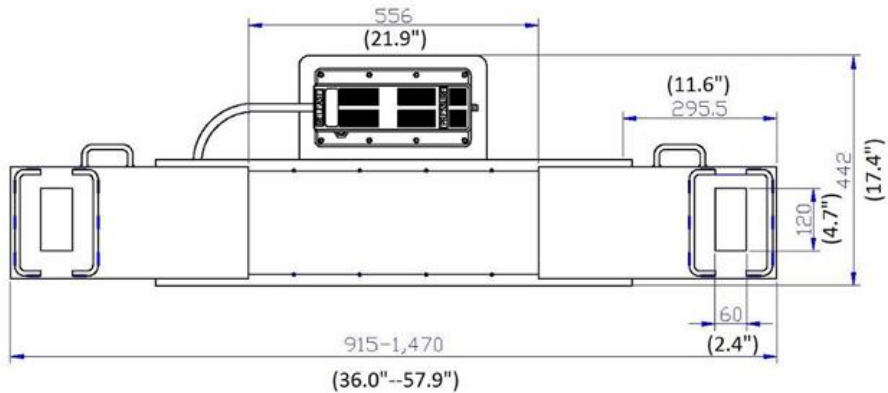
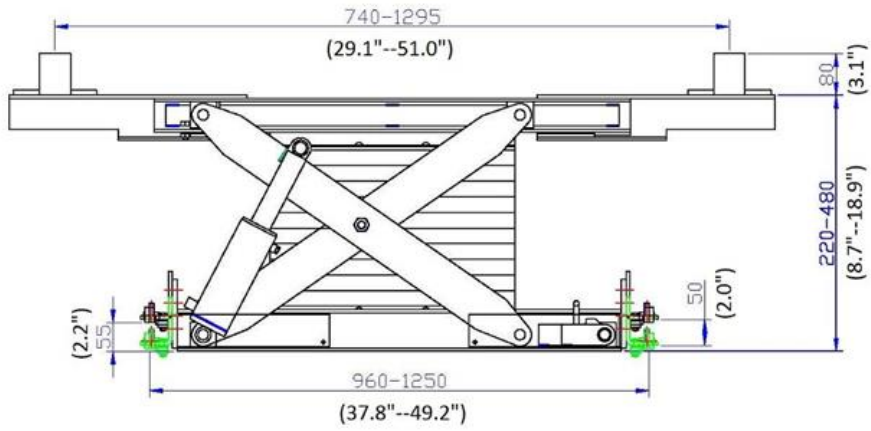
**RAJ-7K-H (High Mount)**



**RAJ-7K-L (Low Mount)**

# TABLE OF CONTENTS

## SPECIFICATIONS



## **DESCRIPTION**

The RAJ-7K-H & RAJ-7K-L Rolling Bridge Jacks are 7,000 lb. capacity pneumatic / hydraulic operated, scissor-style rolling bridge jacks, designed to be mounted on four post or scissor lift

Ensure jack can roll freely on jack rails and all side 'guide' rollers are adjusted to be in contact with jack rails.

## **SAFETY INSTRUCTIONS**

- **Never allow unauthorized or untrained persons to operate the rolling jack.**
- **Thoroughly train all employees in the use and care of rolling jack.**
- **Never overload rolling jack. Capacity of rolling jack is stated on the nameplate. Capacity should not be exceeded.**
- **Observe and avoid any pinch point areas of the linkage mechanism.**

## **OPERATING INSTRUCTIONS**

**To avoid personal injury and/or property damage, permit only trained personnel to operate jack.**

After reviewing these instructions, get familiar with jack controls by running the jack through a few cycles before loading vehicle on jack. Observe and avoid any pinch point areas of the linkage mechanism.

1. Before loading a vehicle onto lift, ensure jack(s) are fully lowered. Make sure the rubber blocks are in their most inbound position. Also ensure the jack(s) is (are) pushed toward the center of lift before driving vehicle on or off lift. This will provide maximum vehicle clearance when loading and unloading vehicles.
2. After vehicle has been loaded, chock tires on the opposite side in which the rolling jack is to be used. If two rolling jacks are to be used, chock the tires on the opposite side of the rolling jack to be raised first.

**Engage runway locks before raising vehicle on jacks! DO NOT operate lift while jacks are engaged with a vehicle!**

3. Place jack under vehicle at manufacturer

# Pneumatic / Hydraulic Pump Diagram

Fig 2.

## MAINTENANCE INSTRUCTIONS

**If you are not completely familiar with automotive lift maintenance procedure, please contact your distributor for instructions before any practice.**

**TO AVOID PERSONAL INJURY**, permit only qualified personnel to perform maintenance on this equipment.

### **Daily:**

- Inspect rubber

## TROUBLE SHOOTING

TROUBLE	CAUSE	REMEDY
<b><i>Rolling Jack will not raise after contacting load</i></b>	1. Jack loaded beyond capacity.	1. Use Jack only to rated capacity.
	2. External fluid leak at pump, hose, or cylinder.	2. Repair leak, refill reservoir.*
	3. Internal leakage.	3. Have pump serviced by an authorized service center.
	4. Release mechanism damaged or parts missing.	4. Replace damaged or missing parts.
	5. Pump low on fluid.	5. Lower Jack and check fluid level. Fill with AW32 hydraulic fluid. Locate and correct leak.*
	6. Pump malfunctioning.	6. Have pump serviced by an authorized service center.
<b><i>Rolling Jack will not raise to full height.</i></b>	1. Pump low on fluid.	1. Lower Jack and check fluid level. Fill with AW32 hydraulic fluid. Locate and correct leak.*
<b><i>Jack drifts down - will not hold.</i></b>	1. Release mechanism damaged or parts missing	1. Replace damaged or missing parts.
	2. External leakage.	2. Locate leak and repair. Refill reservoir.*
	3. Internal leakage.	3. Have pump serviced by an authorized service center.
<b><i>Jack lowers slow or not at all.</i></b>	1. Release mechanism damaged or parts missing.	1. Replace damaged or missing parts.
	2. Return flow of fluid restricted or blocked.	2. Eliminate blockage.

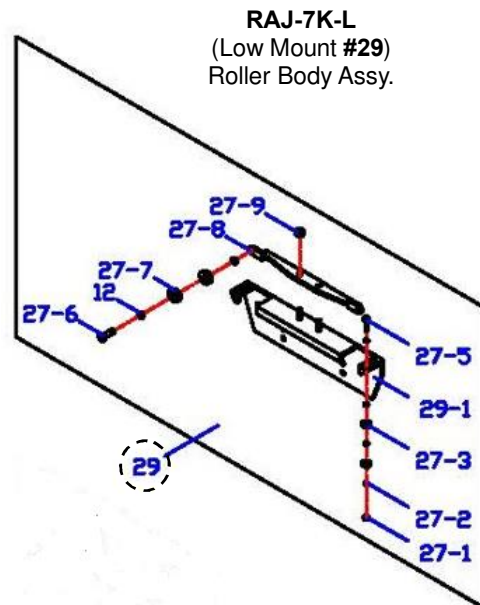
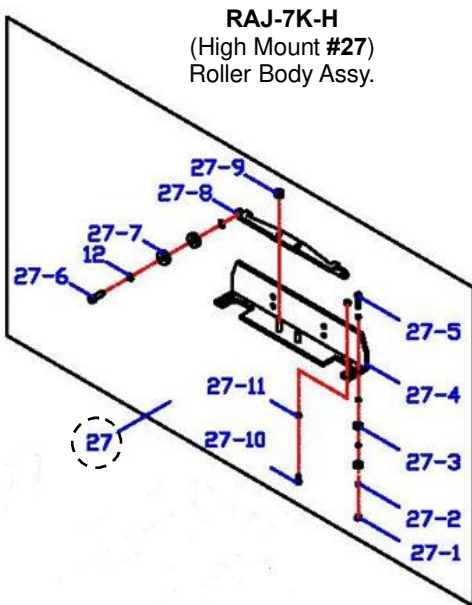
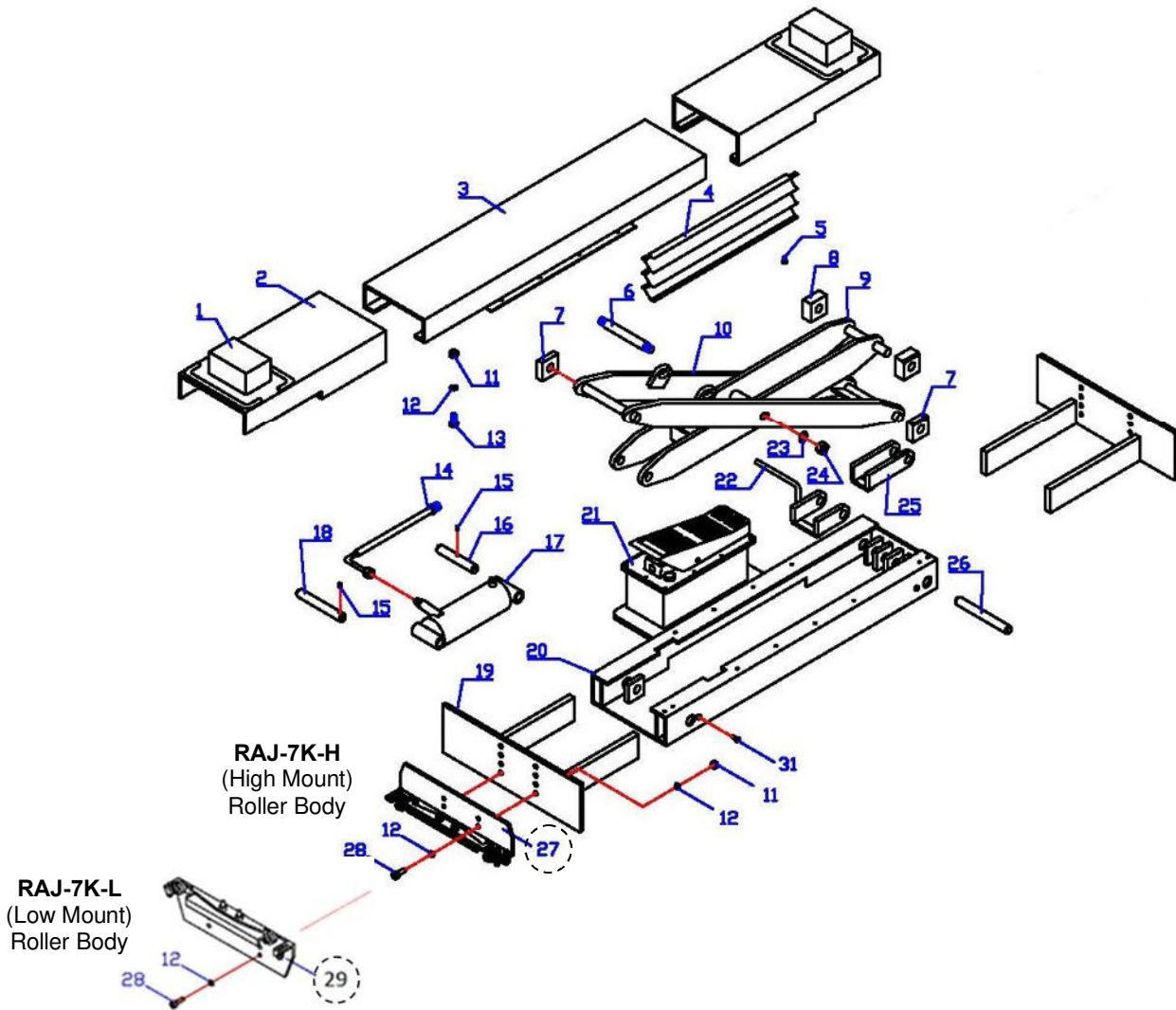


**Do not overfill reservoir. Jack must be completely lowered prior to adding hydraulic fluid.**



**If rolling jack is in the raised position, be sure to activate the mechanical locking device prior to attempting to service the unit. Failure to do so may cause jack to drop out of control.**

# EXPLODED VIEW



## PARTS LIST

ITEM	Tux P/N	M-Ref P/N	DESCRIPTION	QTY
1	RAJ7K-001	LJ01-00007-000	Rubber Block	2
2	RAJ7K-002	LJ01-02000-000	Sliding Arm	2
3	RAJ7K-003	LJ01-08000-000	Arm Weldment	1
4	RAJ7K-004	LJ01-00005-000	Side Curtain	2
5	RAJ7K-005	LJ01-00004-000	Screw, M6 x 8mm	18
6	RAJ7K-006	LJ01-00009-000	Shaft #3	1
7	RAJ7K-007	LJ01-00001-000	Slide Block #1	4
8	RAJ7K-008	LJ01-00006-000	Slide Block #2	2
9	RAJ7K-009	LJ01-07000-000	Inner scissor	1
10	RAJ7K-010	LJ01-03000-000	Outer scissor	1
11	RAJ7K-011	5202-00010-000	Nut, M10	10
12	RAJ7K-012	5301-00010-000	Flat Washer, D10	18
13	RAJ7K-013	5101-10024-000	Bolt, M10 x 24mm	2
14	RAJ7K-014	LJ01-00011-000	Hydraulic Hose	1
15	RAJ7K-015	LJ01-00003-000	Threaded Pin, M6 x 10mm	2
16	RAJ7K-016	LJ01-00002-000	Shaft #1	1
17	RAJ7K-017	LJ01-04000-000	Hydraulic Cylinder	1
18	RAJ7K-018	LJ01-00012-000	Shaft #4	1
19	RAJ7K-019	LJ01-01100-001	Roller Body Frame	2
20	RAJ7K-020	LJ01-09000-000	Base Weldment	1
21	AP-10K	QY030S-00	Air-Hydraulic Pump	1
22	RAJ7K-022	LJ01-06000-000	Safety Latch & Handle (A)	1
23	RAJ7K-023	5301-00016-000	Flat Washer, D16	2
24	RAJ7K-024	5202-00016-000	Nut, M16	2
25	RAJ7K-025	LJ01-05000-000	Safety Latch (B)	1
26	RAJ7K-026	LJ01-00008-000	Shaft #2	1
27	RAJ-H-SLDRASY	LJ04-01000-H00	(High Mount) Roller Body Assy.	2
29	RAJ-L-SLDRASY	LJ04-02000-H00	(Low Mount) Roller Body Assy.	2
31	RAJ7K-031	5104-08016-000	Bolt, M8 x 16mm	4

### RAJ-7K-H (High Mount) Roller Body Assembly Parts (#27)

ITEM	Tux P/N	M-Ref P/N	DESCRIPTION	QTY
27-1	RAJ7K-027.1	5206-00006-000	Lock Nut, M6	8
27-2	RAJ7K-027.2	5301-00006-000	Flat Washer, D6	16
27-3	RAJ7K-027.3	LJ04-01001-000	Small, Side Bearing	8
27-4	RAJ7K-027.4	LJ04-01003-000	(High Mount) RB Support Frame	2
27-5	RAJ7K-027.5	5104-06030-000	Bolt, M6 x 30mm	4
27-6	RAJ7K-027.6	5105-10030-000	Socket Head Bolt, M10 x 30mm	4
27-7	RAJ7K-027.7	LJ04-01002-000	Large, Wheel Bearing	8
27-8	RAJ7K-027.8	LJ04-01004-000	Spring Support Bar	2
27-9	RAJ7K-027.9	5206-00010-000	Lock Nut, M10	4
27-10	RAJ7K-027.10	5105-06016-000	Socket Head Bolt, M6 x 16mm	4
27-11	RAJ7K-027.11	LJ04-01005-000	Bushing	4
28	RAJ7K-028	5104-10035-000	Bolt, M10 x 35mm	8

### RAJ-7K-L (Low Mount) Roller Body Assembly Parts (#29)

ITEM	Tux P/N	M-Ref P/N	DESCRIPTION	QTY
27-1	RAJ7K-027.1	5206-00006-000	Lock Nut, M6	4
27-2	RAJ7K-027.2	5301-00006-000	Flat Washer, D6	16
27-3	RAJ7K-027.3	LJ04-01001-000	Small, Side Bearing	8
29-4	RAJ7K-029.4	LJ04-02001-000	(Low Mount) RB Support Frame	2
27-5	RAJ7K-027.5	5104-06030-000	Bolt, M6 x 30mm	4
27-6	RAJ7K-027.6	5105-10030-000	Socket Head Bolt, M10 x 30mm	4
27-7	RAJ7K-027.7	LJ04-01002-000	Large, Wheel Bearing	8
27-8	RAJ7K-027.8	LJ04-01004-000	Spring Support Bar	2
27-9	RAJ7K-027.9	5206-00010-000	Lock Nut, M10	4
28	RAJ7K-028	5104-10035-000	Bolt, M10 x 35mm	8

# LIMITED WARRANTY

## Structural Warranty:

The following parts and structural components carry a five-year warranty:

Columns	Arms	Uprights	Swivel Pins
Legs	Carriages	Overhead Beam	
Tracks	Cross Rails	Top Rail Beam	

## Limited One-Year Warranty:

Tuxedo Distributors, LLC (iDEAL) offers a limited one-year warranty to the original purchaser of Lifts and Wheel Service equipment in the United States and Canada. Tuxedo will replace, without charge, any part found defective in materials or workmanship under normal use, for a period of one year after purchase. The purchaser is responsible for all shipping charges. This warranty does not apply to equipment that has been improperly installed or altered or that has not been operated or maintained according to specifications.

## Other Limitations:

This warranty does not cover:

1. Parts needed for normal maintenance
2. Wear parts, including but not limited to cables, slider blocks, chains, rubber pads and pulleys
3. Replacement of lift and tire changer cylinders after the first 30 days. A seal kit and installation instructions will be sent for repairs thereafter.
4. On-site labor

Upon receipt, the customer must visually inspect the equipment for any potential freight damage before signing clear on the shipping receipt. Freight damage is not considered a warranty issue and therefore must be noted for any potential recovery with the shipping company.

The customer is required to notify Tuxedo of any missing parts within 72 hours. Timely notification must be received to be covered under warranty.

Tuxedo will replace any defective part under warranty at no charge as soon as such parts become available from the manufacturer. No guarantee is given as to the immediate availability of replacement parts.

Tuxedo reserves the right to make improvements and/or design changes to its lifts without any obligation to previously sold, assembled, or fabricated equipment.

There is no other express warranty on the Tuxedo lifts and this warranty is exclusive of and in lieu of all other warranties, expressed or implied, including all warranties of merchantability and fitness for a particular purpose.

To the fullest extent allowed by law, Tuxedo shall not be liable for loss of use, cost of cover, lost profits, inconvenience, lost time, commercial loss or other incidental or consequential damages.

This Limited Warranty is granted to the original purchaser only and is not transferable or assignable.

Some states do not allow exclusion or limitation of consequential damages or how long an implied warranty lasts, so the above limitations and exclusions may not apply. This warranty gives you specific legal rights and you may have other rights, which may vary from state to state.

8320 E Hwy 67, Alvarado, TX 76009  
Ph. 817-558-9337 / Fax 817-558-9740