

MR6.5K-38

Portable Mid-Rise Scissor Lift

6,500 lbs. Capacity



INSTALLATION & OPERATION MANUAL

CONTENT

SAFETY INFORMATION

- Note, Caution and Warning
- Important Information
- Safety Instructions

TECHNICAL INFORMATION

- Product Description
- Specifications

BEFORE USING

- Site Selection
- Surface Condition
- Operating Condition

INSTALLATION INSTRUCTIONS

- Required Tools
- Unloading Lift
- Un-banding Lift
- Lift Installation / Assembly
- Starting Up / Testing
- Final Adjustments

OPERATION INSTRUCTIONS

- Vehicle Positioning
- Lift Preparation
- Loading Lift
- Raise & Lowering Lift
- Caster Assembly Installation & Operation
- Inspection, Maintenance & Cleaning
- Trouble-Shooting Guide
- Power Unit Priming Procedure

EXPLODED VIEWS & PARTS LIST

LIMITED WARRANTY

SAFETY INFORMATION

Note, Caution and Warning

This document uses the following notations: Note, Caution and Warning

Safety Instructions

1. **Do not** raise a vehicle on the lift until the installation is completed as described in this manual.
2. Technicians should be trained to use and care for the lift by familiarizing themselves with the manual, including Note, Caution and Warning information. The lift should **never be operated by an untrained person**.
3. Always position the pads properly out of the way before pulling the vehicle into or out of the service bay. **Failure to do so could damage the vehicle and/or the lift.**
4. **Do not overload the lift.** The capacity of the lift is shown on cover of this manual and on the lift

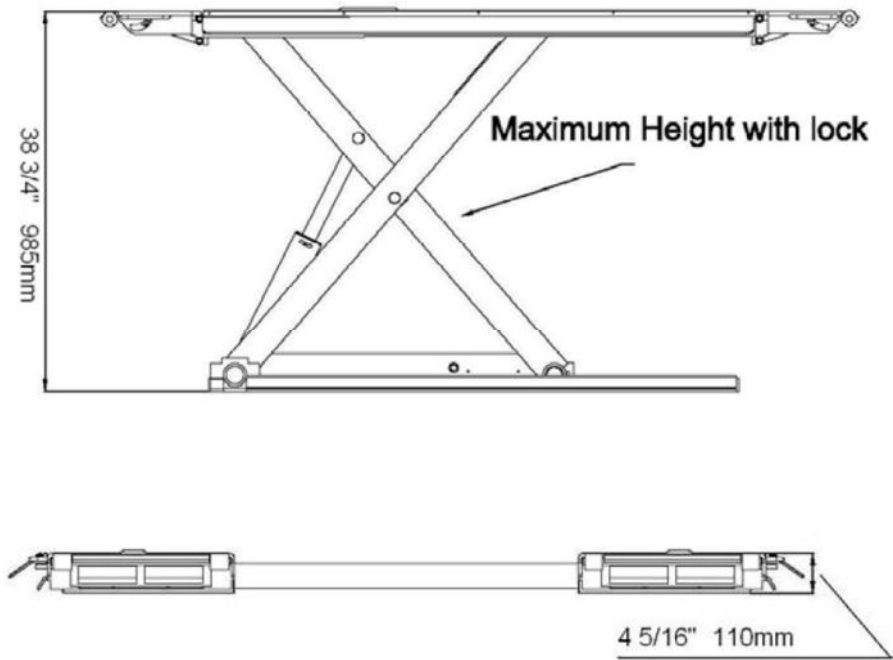
TECHNICAL INFORMATION

Product Description

The MR6.5K-38 is a portable 6,500 lb. hydraulic mid-rise scissor frame contact lift, equipped with twin hydraulic cylinders & single point pneumatic lock release, while incorporating the latest safety technologies. The lift consists of a fixed structural scissor lift, a mobile unit kit (brackets, wheels & trolley), hydraulic power control system with safety devices, fully capable for lifting cars, light vans and safely holding them in an elevated position for wheel service, brake work, inspections & detailing.

Specifications

| Specifications | MR6.5K-38 |
|-------------------|------------|
| Lifting Capacity: | 6,500 lbs. |
| Overall Length | 77 |



BEFORE USING

Site Selection

The Lift is designed for indoor use only. Application in a room with explosion hazard is not permitted. Placing the lift in a wet place, such as car wash bay, is prohibited. Ensure to check the desired location for possible obstructions such as a low ceiling, overhead lines, adequate working area, access ways and exits. Make sure to allow a minimum space of 12 to 14 feet in front and behind the Lift to accommodate all vehicles. Certain allowances should be made for special vehicle requirements or unusual floor plans.

Surface Condition

Do not use the Lift on any type of asphalt or soft surface. Ensure lift is placed on a dry, oil & grease free, level concrete surface capable of supporting the weight of the Lift with a vehicle. Do not use Lift on concrete expansion seams or cracked, defective concrete. Failure to accomplish the foundation requirement may cause lift instability, which could result in personal injury.

Operating Condition

Lift is not intended for outdoor use and has an operating ambient temperature range of 41° - 104°F (5° - 40°C).

INSTALLATION INSTRUCTIONS



You will need common hand tools that most homeowners have, like a hammer, screwdrivers and pliers, but in addition, you may need some tools that are not common. Each installation is somewhat different and depends on how much room you have to work around the lift.

Required Tools

1. Forklift
2. Metal Shears
3. Socket Wrenches with Ratchet
4. Adjustable Wrench
5. Pliers
6. Flat Blade Screwdriver
7. Gloves

Unloading Lift



You'll need a forklift that can handle about 2,000 to 2,300 pounds and operate on a smooth surface.

Un-banding Lift



The steel bands which secure the lift parts to the pallets are heavy duty. You'll need a pair of metal shears or tin snips to cut the steel bands. Be very careful when doing this because the bands will tend to fly apart when they are cut, and the heavy lift parts may shift when freed from the steel bands. Stand to the side of the steel bands when cutting them, while using gloves when removing the cut bands because they have sharp edges.



You can move the large piece to the garage with the forklift. Other smaller pieces can be moved manually.

STEP 1: Install the Platform Ramp Extensions

- A. Locate and connect Ramp Extensions Assemblies by inserting the Pivot Pins through each side of the Ramp Extension to connect to each end of Platforms. (Figs. 1 & 2)
- B. Install Snap Rings to both ends of Pivot Pins to secure Ramp Extensions Assemblies to Platforms. (Figs. 1 & 2)

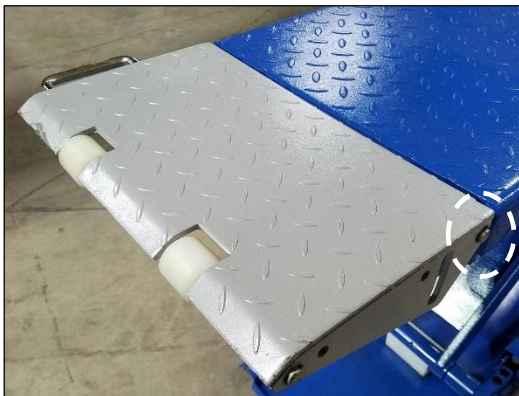


Fig. 1



Fig. 2

STEP 2: Assemble Power Unit Dolly

- A. Locate Dolly components and assemble as shown in (Fig 3.) and in Exploded View section.

STEP 3: Attach Power Unit to Dolly

- A. Remove Power Unit from the carton.
- B. Use provided Nuts & Bolts to attach Power Unit to Dolly

STEP 5: Air Tubing Connections for Safety Latches

- A. Connect the Air Tube (6mm) to the Air Valve Switch located on side of Dolly Stand. (Fig. 7)

Fig. 7

STEP 6: Filling Reservoir Tank

- A. Remove the black fill cap on reservoir tank and fill with 6 quarts of Non-Detergent / Non-Foaming Hydraulic Oil - SAE-10, AW 32 or equivalent. Ensure not to fill past the MAX Fill Line on the reservoir tank.

STEP 7: AC Power Supply Connection

- A. Connect the 115VAC electrical power to the Power Unit

Starting Up / Testing

A. Push the

OPERATION INSTRUCTIONS



To avoid personal injury and/or property damage, permit only trained personnel to operate lift. After reviewing these instructions, get familiar with lift controls by running the lift through a few cycles before loading vehicle on the lift.



Always lift the vehicle using all four adapters. NEVER raise just one end, one corner, or one side of vehicle.

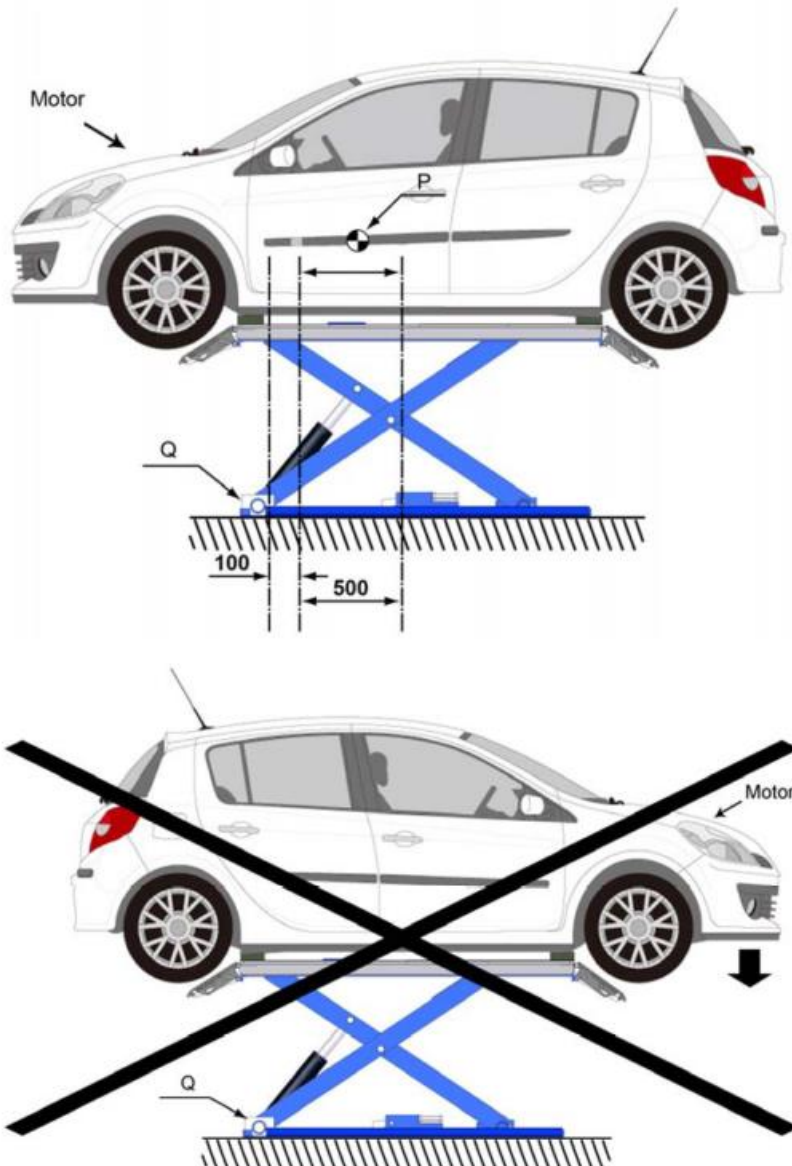


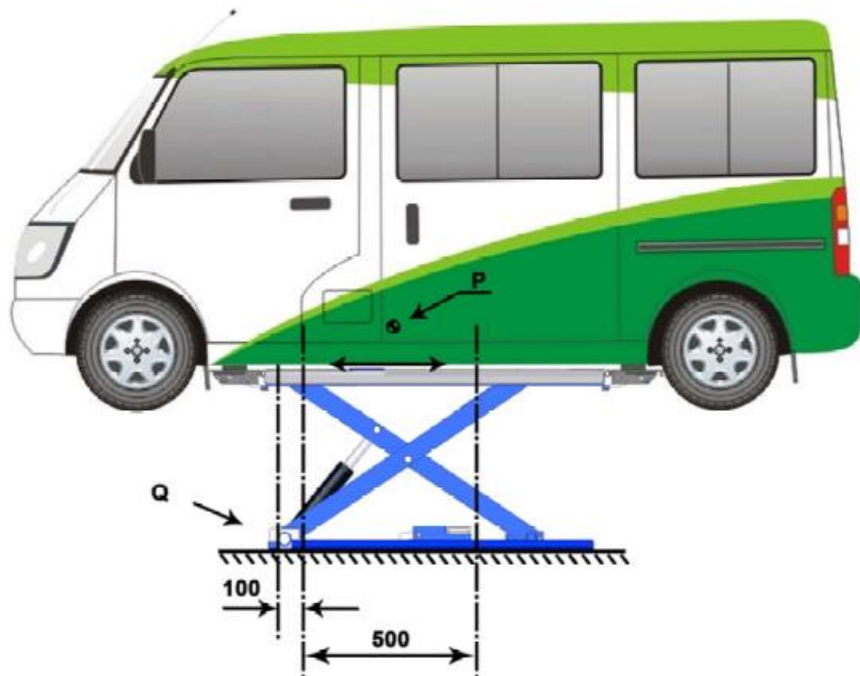
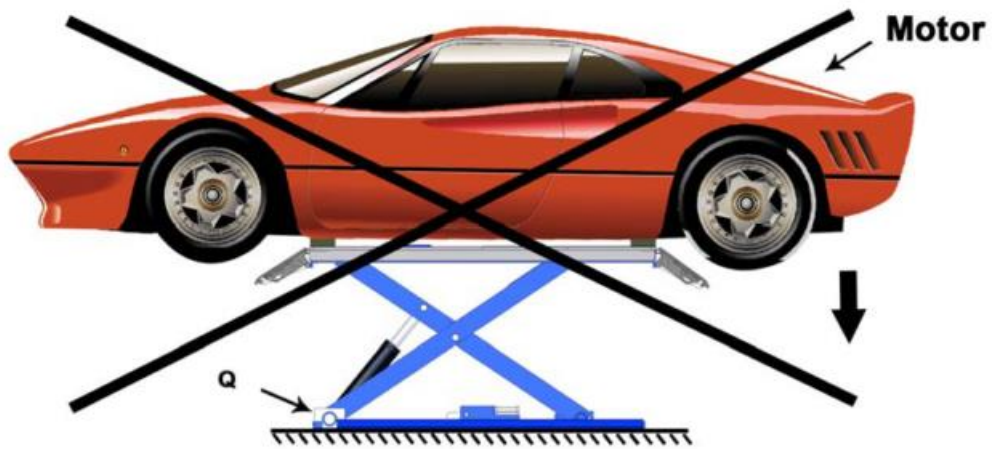
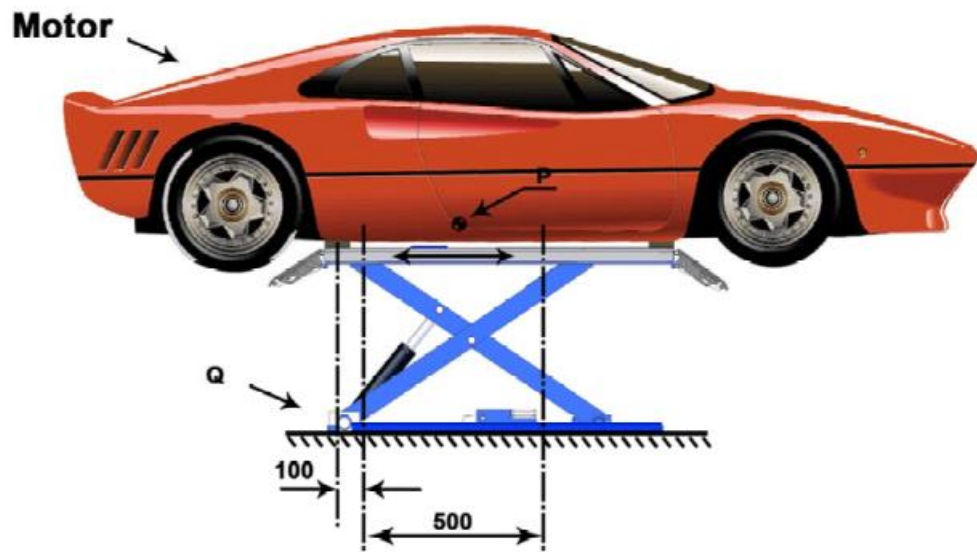
Always lift the vehicle using all four adapters. NEVER raise just one end, one corner, or one side of vehicle.



The heavy end of the vehicle MUST put on the side as shown in the figure.

Vehicle Positioning





Lift Preparation

Lift must be fully lowered, and area clear of all personnel before a vehicle is put on the lift.

Loading Lift

Position the adapters at vehicle manufacturer

Caster Assembly Installation & Operation for Lift Portability (Optional)

1. Position Lift to the lowest position.
2. Remove Vehicle from Lift.
3. Raise Lift to approx. 20

Inspection, Maintenance & Cleaning



Always unplug the Power Cord from the electrical outlet before performing any inspection, adjustments, maintenance and/or cleaning.

BEFORE EACH USE: Inspect the general condition of the Lift. Check for loose screws, misalignment or binding of moving parts, broken parts, damaged electrical wiring and hoses, and any other condition that may affect its safe operation. If abnormal noise or vibration occurs, have the problem identified and corrected before further use. **Do not use a damaged equipment.**

DAILY: With compressed air or vacuum, remove all dirt and debris from the Lift. Also, use a detergent or mild solvent to remove oil and grease from the unit. Then, use a premium quality, machine oil to lubricate all moving parts.

MONTHLY: With the lift fully lowered, check the level of hydraulic oil in the Reservoir Tank is close to the Max Fill Line. If not, remove the Fill Cap and add premium quality hydraulic oil until the level of oil is even with the Max Fill Line. After filling, place the Fill Cap to Reservoir Tank.



Never Add Hydraulic Fluid while Lift is in raised position!!

Trouble-Shooting Guide

1. Motor Does Not Run:

- A. Breaker or fuse blown.....Call electrician
- B. Faulty wiring connections..... Call electrician
- C. Defective start button.....Call electrician
- D. Defective capacitor..... Call electrician

2. Motor Runs but Will Not Raise:

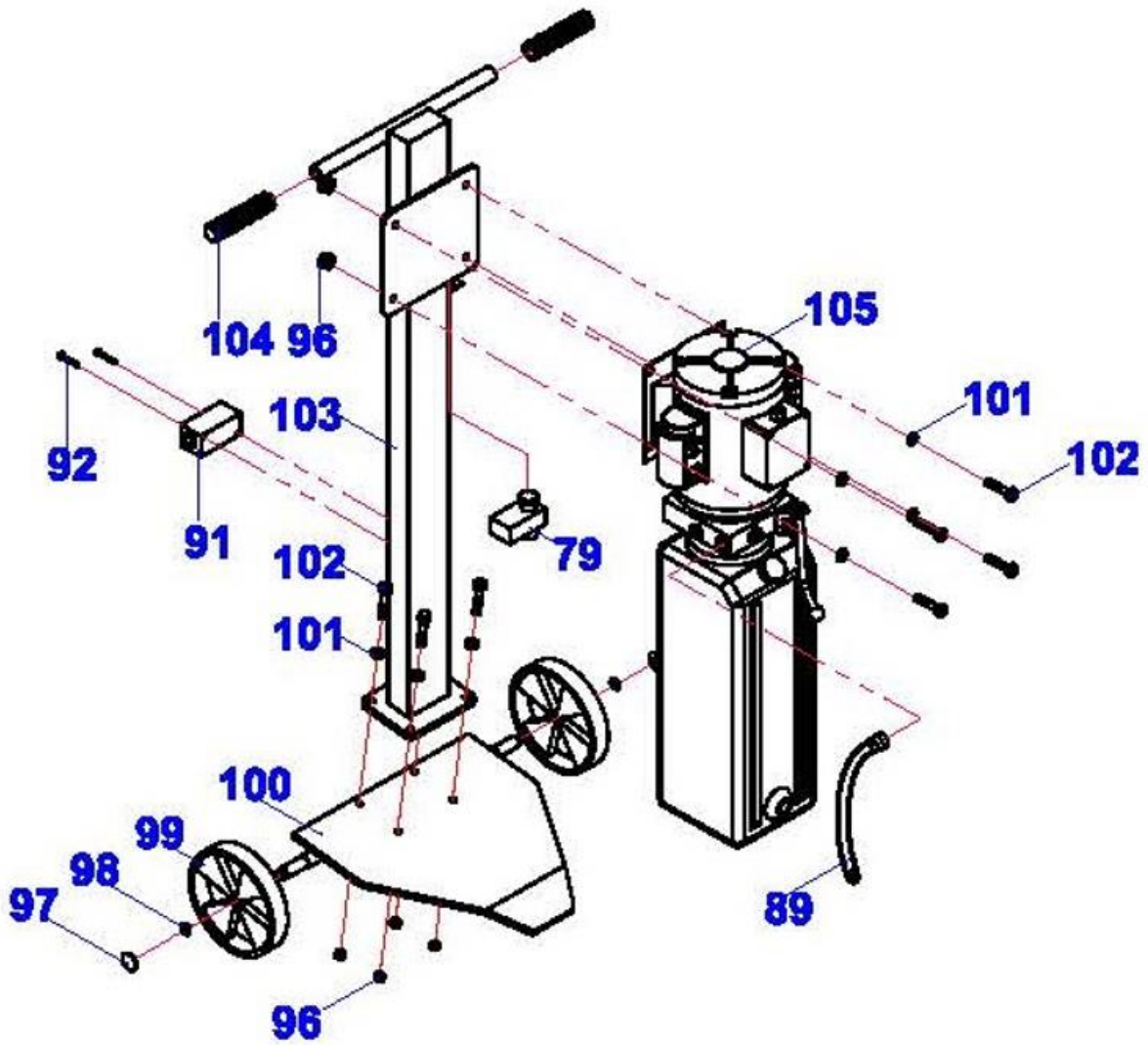
- A. Oil level too low.....Oil level should be at the MAX Fill Line with lift fully lowered.
- B. Check for proper clearance for the release valve

IMPORTANT

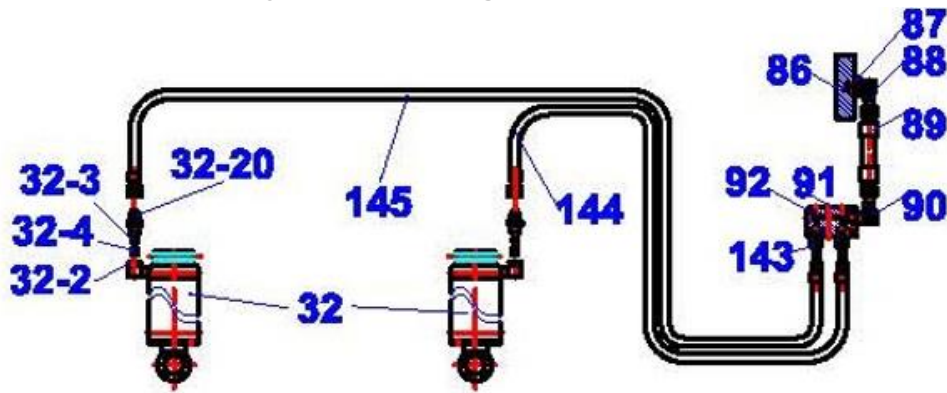
POWER UNIT PRIMING PROCEDURE

THE PROBLEM: Power unit runs fine but will not pump any fluid.

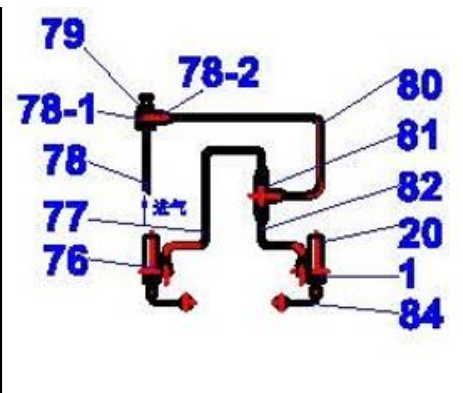
Step 1



Hydraulic Diagram



Pneumatic Diagram



PARTS LIST

| ITEM | Tux P/N | M-REF P/N | DESCRIPTION | QTY |
|-------|-----------------|----------------|-------------------------|-----|
| 1 | MR6.5K-38-001 | JP16-25006-000 | Nut | 4 |
| 4 | MR6.5K-38-004 | JP16-00008-000 | Lock Bar | 2 |
| 7 | MR6.5K-38-007 | JP16-00011-000 | Half-Moon Slider | 2 |
| *8A | MR6.5K-38-008A | JP16-02000-002 | Inner Scissor Frame | 1 |
| 9 | MR6.5K-38-009 | 5402-08060-000 | Roll Pin | 4 |
| 10 | MR6.5K-38-010 | JP16-00006-000 | Center Shaft | 2 |
| 11 | MR6.5K-38-011 | 5301-00030-000 | Flat Washer | 4 |
| 12 | MR6.5K-38-012 | 5402-06040-000 | Roll Pin, D6 x 40mm | 4 |
| 13 | MR6.5K-38-013 | JP16-00014-000 | Position Plate | 2 |
| 14 | MR6.5K-38-014 | 5105-05010-000 | Socket Screw, M5 x 10mm | 4 |
| 15 | MR6.5K-38-015 | JP16-00005-000 | Cylinder Pin | 2 |
| 16 | MR6.5K-38-016 | 5201-00014-000 | Nut | 4 |
| 17 | MR6.5K-38-017 | JP16-00020-000 | Roller | 4 |
| 18 | MR6.5K-38-018 | JP16-00017-000 | Roller Screw | 4 |
| 19 | MR6.5K-38-019 | 5105-16043-000 | Socket Screw | 4 |
| 20 | MR6.5K-38-020 | JP16-25400-000 | Air Cylinder | 2 |
| 21 | MR6.5K-38-021 | 5304-00018-000 | Circlip, D18 | 2 |
| 22 | MR6.5K-38-022 | 5101-06012-000 | Bolt | 2 |
| 23 | MR6.5K-38-023 | 5301-00006-000 | Flat Washer | 2 |
| 24 | MR6.5K-38-024 | JP16-00013-000 | Latch Pin | 2 |
| 25 | MR6.5K-38-025 | JP16-00012-000 | Lock Latch | 2 |
| 26 | MR6.5K-38-026 | JP16-00007-000 | Center Shaft Sleeve | 2 |
| 27 | MR6.5K-38-027 | JP16-00004-000 | Latch Cover | 2 |
| 27-1 | MR6.5K-38-027.1 | 5110-05010-000 | Screw, M5 x 10mm | 4 |
| 27-2 | MR6.5K-38-027.2 | 5301-00005-000 | Flat Washer, D5 | 4 |
| 28 | MR6.5K-38-028 | JP16-00003-000 | Shaft Seat | 2 |
| 29 | MR6.5K-38-029 | JP16-00002-000 | Shaft Seat Cover | 2 |
| 30 | MR6.5K-38-030 | 5201-00012-000 | Nut, M12 | 8 |
| 31 | MR6.5K-38-031 | 5206-00008-000 | Self-Lock Nut, M8 | 2 |
| *32-1 | MR6.5K-38-032.1 | JP16-06000-C00 | Cylinder | 2 |
| 32-2 | MR6.5K-38-032.2 | JP16-06007-000 | Copper Washer | 2 |

| | | | | |
|--------|------------------|----------------|--------------------------|----|
| 32-3 | MR6.5K-38-032.3 | JP16-06006-000 | Throttle Washer | 2 |
| 32-4 | MR6.5K-38-032.4 | QY02-02101-000 | Spring | 2 |
| 32-5A | MR6.5K-38-032.5A | JP16-06100-000 | Cylinder Body | 2 |
| 32-6 | MR6.5K-38-032.6 | JP16-06200-000 | Piston Rod | 2 |
| 32-7 | MR6.5K-38-032.7 | 5901-00200-000 | O-Ring | 2 |
| 32-8 | MR6.5K-38-032.8 | 5906-00380-000 | Dust Ring | 2 |
| 32-9 | MR6.5K-38-032.9 | JP16-06004-000 | Guide Ring | 2 |
| 32-10 | MR6.5K-38-032.10 | JP16-06005-000 | Steel Ring | 2 |
| 32-11 | MR6.5K-38-032.11 | 5901-00650-000 | O-Ring | 2 |
| 32-12 | MR6.5K-38-032.12 | JP16-06001-000 | Piston | 2 |
| 32-13 | MR6.5K-38-032.13 | 5901-00700-000 | Piston Seal | 2 |
| 32-14 | MR6.5K-38-032.14 | JP16-06002-000 | Guide Belt | 2 |
| 32-15 | MR6.5K-38-032.15 | 5201-00020-000 | Nut, M20 | 2 |
| 32-20 | MR6.5K-38-032.20 | JP16-06008-000 | Fitting Connector | 2 |
| 33 | MR6.5K-38-033 | JP16-14000-000 | Ramp Support | 4 |
| 34 | MR6.5K-38-034 | JP16-12108-000 | Roller | 8 |
| 37 | MR6.5K-38-037 | JP16-00015-000 | Ramp Shaft | 4 |
| 38 | MR6.5K-38-038 | 5304-00014-000 | Circlip, D14 | 24 |
| 39 | MR6.5K-38-039 | JP16-00016-000 | Ramp Support Axle | 8 |
| 40 | MR6.5K-38-040 | JP16-12100-000 | Ramp | 4 |
| 41 | MR6.5K-38-041 | 5201-00010-000 | Nut, M10 | 8 |
| 42 | MR6.5K-38-042 | 5303-00010-000 | Spring Washer, D10 | 8 |
| 45 | MR6.5K-38-045 | 5304-00020-000 | Circlips, D20 | 8 |
| 46 | MR6.5K-38-046 | JP16-00018-000 | Upper Pin | 4 |
| *47-1 | MR6.5K-38-047.1 | JP16-01000-001 | Outer Scissor Frame | 1 |
| 48 | MR6.5K-38-048 | JP16-00001-000 | Front Shaft Block | 2 |
| 49 | MR6.5K-38-049 | 5116-12085-000 | Socket Screw, M12 x 85mm | 4 |
| 49-1 | MR6.5K-38-049.1 | 5116-12065-000 | Socket Screw, M12 x 65mm | 4 |
| *50A | MR6.5K-38-050A | JP16-10000-001 | Underframe Assy. (LH) | 1 |
| *50-1A | MR6.5K-38-050.1A | JP16-11000-001 | Underframe Assy. (RH) | 1 |
| 52 | MR6.5K-38-052 | 5301-00010-000 | Flat Washer, D18 | 8 |
| 53 | MR6.5K-38-053 | JP16-12001-000 | Ramp Handle | 4 |
| 66 | MR6.5K-38-066 | 5101-08065-000 | Bolt, M8 x 65mm | 3 |
| 67 | MR6.5K-38-067 | 5301-00008-000 | Flat Washer, D8 | 12 |

| | | | | |
|------|-----------------|----------------|---------------------------------|---|
| 68 | MR6.5K-38-068 | JP16-05001-000 | Wheel Plate-1 | 2 |
| 68-1 | MR6.5K-38-068.1 | JP16-05001-001 | Wheel Plate-2 | 1 |
| 69 | MR6.5K-38-069 | 5109-08020-000 | Socket Screw, M8 x 20mm | 4 |
| 70 | MR6.5K-38-070 | JP16-05002-001 | Swivel Caster Wheel | 1 |
| 71 | MR6.5K-38-071 | 5201-00008-000 | Nut, M8 | 2 |
| 72 | MR6.5K-38-072 | JP16-05003-000 | Fixed Caster Wheel | 2 |
| 73 | MR6.5K-38-073 | 5206-00008-000 | Self-Lock Nut, M8 | 4 |
| 74 | MR6.5K-38-074 | JP16-04000-000 | Pull Bar | 1 |
| 75 | MR6.5K-38-075 | JP16-00019-000 | Rubber Pad | 4 |
| 75-1 | MR6.5K-38-075.1 | JP09-00008-000 | Rubber Block | 4 |
| 76 | MR6.5K-38-076 | JP16-25100-000 | 90 Quick Air Fitting | 2 |
| 77 | MR6.5K-38-077 | JP16-25001-000 | Air Hose-1 | 1 |
| 78 | MR6.5K-38-078 | JP16-25002-000 | Air Hose-2 | 1 |
| 78-1 | MR6.5K-38-078.1 | DK04-08006-000 | Straight Quick Air Fitting-3 | 1 |
| 78-2 | MR6.5K-38-078.2 | DK04-08004-000 | Straight Quick Air Fitting-2 | 1 |
| 79 | MR6.5K-38-079 | JP16-31100-000 | Air Valve | 1 |
| 80 | MR6.5K-38-080 | JP16-25004-000 | Air Hose-3 | 1 |
| 81 | MR6.5K-38-081 | JP16-25300-000 | Air T-Fitting | 1 |
| 82 | MR6.5K-38-082 | JP16-25005-000 | Air Hose-4 | 1 |
| 84 | MR6.5K-38-084 | | Steel Cable | 2 |
| 86 | MR6.5K-38-086 | | Hyd. Valve Block | 1 |
| 87 | MR6.5K-38-087 | 5901-00118-000 | O-Ring, D11.8 x D1.8 | 1 |
| 88 | MR6.5K-38-088 | SJ01-12001-000 | 90 Fitting Connector (V- Block) | 1 |
| 89 | MR6.5K-38-089 | JP16-30100-000 | Short Hyd. Hose | 1 |
| 90 | MR6.5K-38-090 | SJ01-03002-000 | 90 Fitting Connector (T-Block) | 1 |
| 91 | MR6.5K-38-091 | JP16-30002-000 | Hyd. T-Block | 1 |
| 92 | MR6.5K-38-092 | 5105-05035-000 | Socket Screw, M5 x 35mm | 2 |
| 96 | MR6.5K-38-096 | 5206-00008-000 | Self-Lock Nut, M8 | 8 |
| 97 | MR6.5K-38-097 | JP16-26001-000 | Wheel Axle Cover | 2 |
| 98 | MR6.5K-38-098 | 5301-00016-000 | Flat Washer, D16 | 2 |
| 99 | MR6.5K-38-099 | XC04-00001-000 | Dolly Wheel | 2 |
| 100 | MR6.5K-38-100 | JP16-26100-000 | Dolly Base | 1 |
| 101 | MR6.5K-38-101 | 5301-00008-000 | Flat Washer | 8 |
| 102 | MR6.5K-38-102 | 5101-08035-000 | Nut | 8 |

| | | | | |
|--------|-----------------|----------------|---------------------------------|----|
| 103 | MR6.5K-38-103 | JP16-26200-000 | Dolly Post | 1 |
| 104 | MR6.5K-38-104 | XC04-00002-000 | Handle Sleeve | 2 |
| 105 | MR6.5K-38-105 | BZ06 | 115VAC Power Unit (MR6K-38) | 1 |
| 138 | MR6.5K-38-138 | JP16-01007-000 | Bearing, D30 x 2 x 30 | 12 |
| 139 | MR6.5K-38-139 | JP16-02007-000 | Bearing, D20 x 1.5 x 20 | 4 |
| 140 | MR6.5K-38-140 | JP16-00021-000 | Bearing, D20 x 1.5 x 15 | 4 |
| *141-1 | MR6.5K-38-141.1 | JP16-16000-C00 | Platform Assy. (LH) | 1 |
| *142-1 | MR6.5K-38-142.1 | JP16-17000-C00 | Platform Assy. (RH) | 1 |
| 143 | MR6.5K-38-143 | JP16-30003-000 | Straight Hyd. Fitting (T-Block) | 2 |
| 144 | MR6.5K-38-144 | JP16-23000-000 | Medium Hyd. Hose | 1 |
| 145 | MR6.5K-38-145 | JP16-22000-000 | Long Hyd. Hose | 1 |

LIMITED WARRANTY

Structural Warranty:

The following parts and structural components carry a five-year warranty:

| | | | |
|---------|-------------|---------------|-------------|
| Columns | Arms | Uprights | Swivel Pins |
| Legs | Carriages | Overhead Beam | |
| Tracks | Cross Rails | Top Rail Beam | |

Limited One-Year Warranty:

Tuxedo Distributors, LLC (iDEAL) offers a limited one-year warranty to the original purchaser of Lifts and Wheel Service equipment in the United States and Canada. Tuxedo will replace, without charge, any part found defective in materials or workmanship under normal use, for a period of one year after purchase. The purchaser is responsible for all shipping charges. This warranty does not apply to equipment that has been improperly installed or altered or that has not been operated or maintained according to specifications.

Other Limitations:

This warranty does not cover:

1. Parts needed for normal maintenance
2. Wear parts, including but not limited to cables, slider blocks, chains, rubber pads and pulleys
3. Replacement of lift and tire changer cylinders after the first 30 days. A seal kit and installation instructions will be sent for repairs thereafter.
4. On-site labor

Upon receipt, the customer must visually inspect the equipment for any potential freight damage before signing clear on the shipping receipt. Freight damage is not considered a warranty issue and therefore must be noted for any potential recovery with the shipping company.

The customer is required to notify Tuxedo of any missing parts within 72 hours. Timely notification must be received to be covered under warranty.

Tuxedo will replace any defective part under warranty at no charge as soon as such parts become available from the manufacturer. No guarantee is given as to the immediate availability of replacement parts.

Tuxedo reserves the right to make improvements and/or design changes to its lifts without any obligation to previously sold, assembled or fabricated equipment.

There is no other express warranty on the Tuxedo lifts and this warranty is exclusive of and in lieu of all other warranties, expressed or implied, including all warranties of merchantability and fitness for a particular purpose.

To the fullest extent allowed by law, Tuxedo shall not be liable for loss of use, cost of cover, lost profits, inconvenience, lost time, commercial loss or other incidental or consequential damages.

This Limited Warranty is granted to the original purchaser only and is not transferable or assignable.

Some states do not allow exclusion or limitation of consequential damages or how long an implied warranty lasts, so the above limitations and exclusions may not apply. This warranty gives you specific legal rights and you may have other rights, which may vary from state to state.

8320 E Hwy 67, Alvarado, TX 76009
Ph. 817-558-9337 / Fax 817-558-9740